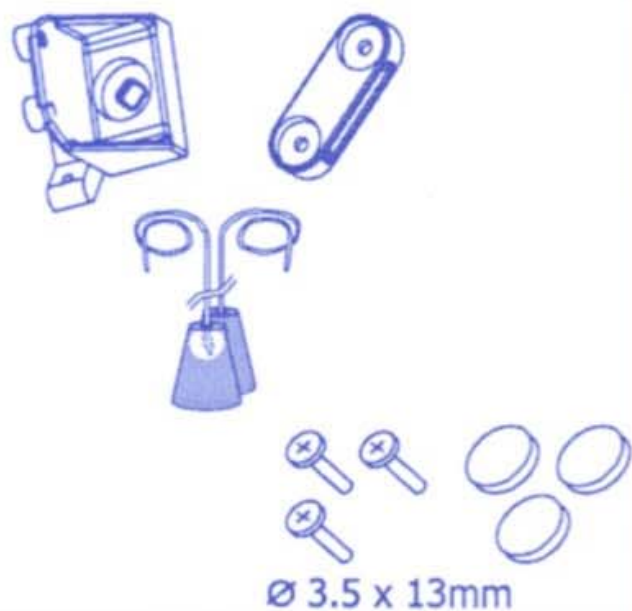


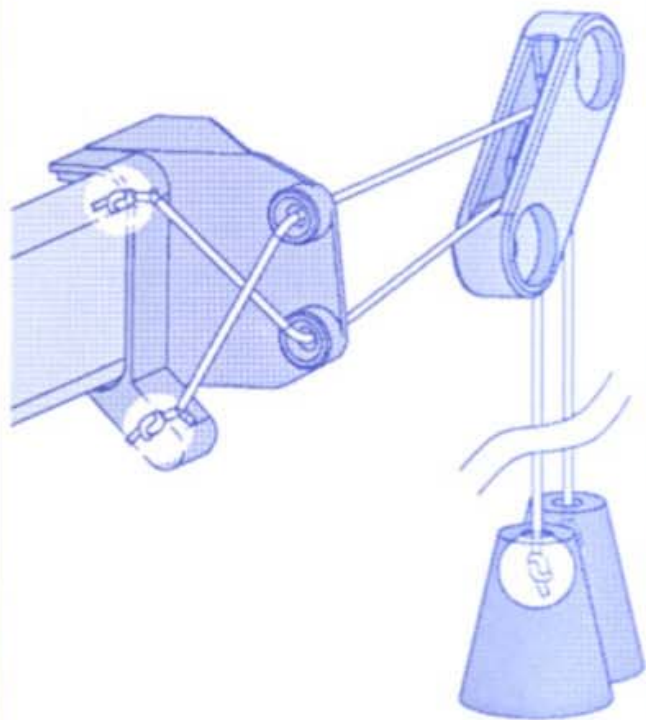
RENSON

INNOVATION IN VENTILATION

Aerovent



A



B

L8004002

